



Feature -

DPST, double stacked, vertical PCB mount
LED illuminated available

Applications -

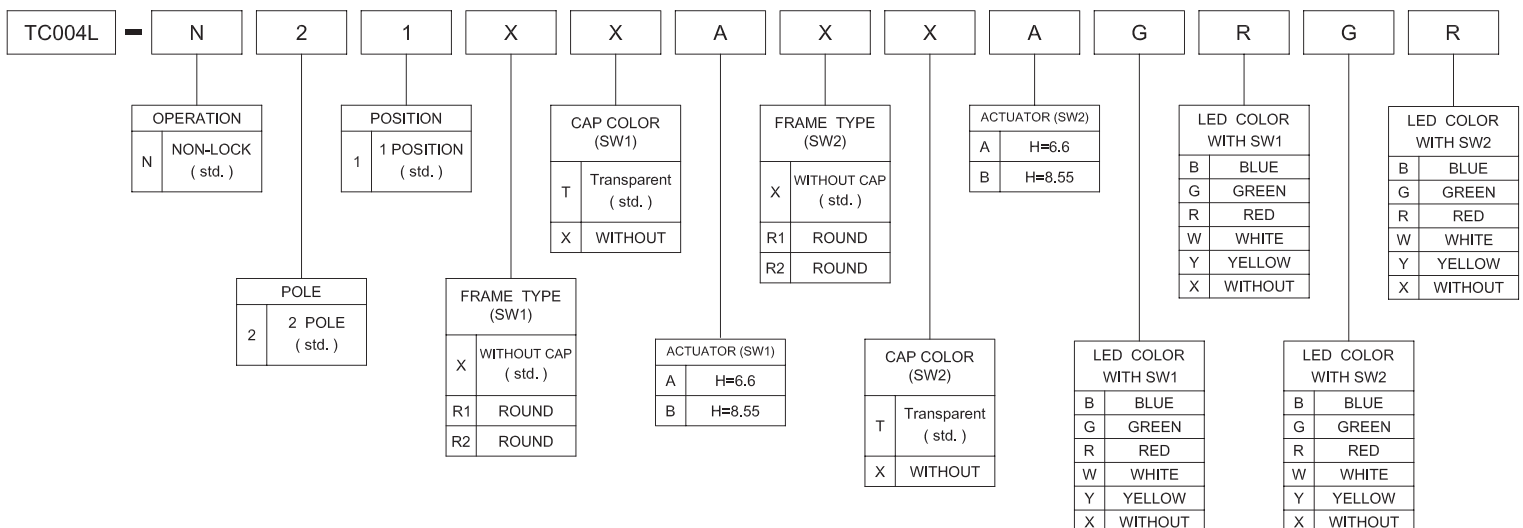
office equipments
measuring instruments
audio, TV, VCRs
many types of electronic equipments

SPECIFICATIONS

SWITCH SPECIFICATIONS	
POLE - POSITION	DPST
CONTACT RATING	12 V DC , 50 mA
CONTACT RESISTANCE	100 mΩ MAX. 5 V DC ; 1 A , by Method of Voltage DROP
INSULATION RESISTANCE	100 MΩ MIN. 100 V DC for 1 minute
DIELECTRIC STRENGTH	Breakdown is not Allowable ; 100 V AC for 1 Minute
OPERATING FORCE	160 ± 50 gf
OPERATING LIFE	500,000 cycles
OPERATING TEMPERATURE RANGE	-20°C ~ 70°C
TOTAL TRAVEL	0.25 ± 0.10 mm

LED SPECIFICATIONS							
ATTENTION	LEDs are Electrostatic Sensitive devices	Unit	Value / LED Color				
			Blue	Green	Red	Yellow	
FORWARD CURRENT	If	mA	20	20	20	20	
REVERSE VOLTAGE	Vr	V	5.0	5.0	5.0	5.0	
REVERSE CURRENT	Ir	μA	10	10	10	10	
FORWARD VOLTAGE@20mA	Vf	V	3.3-4.0	2.1-2.5	2.0-2.5	2.0-2.5	
LUMINOUS INTENSITY@20mA	Iv	mcd	1300	700	900	700	

HOW TO ORDER

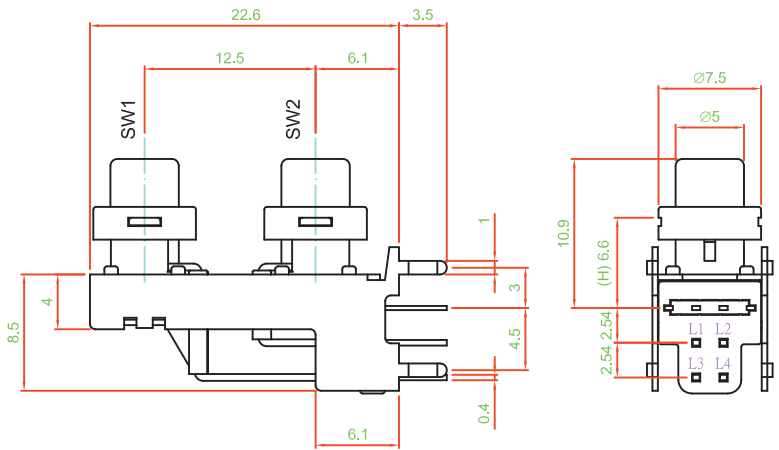
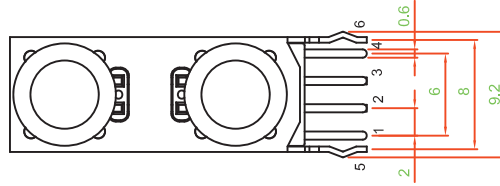


TC004L SERIES

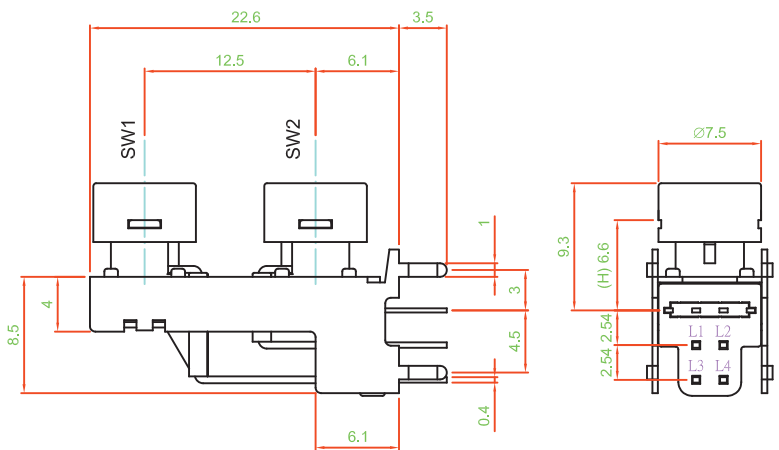
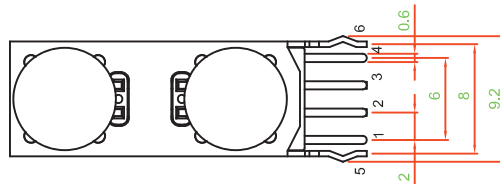
LED TACT SWITCH

► DIMENSION

TC004L-N21R1TAR1TA

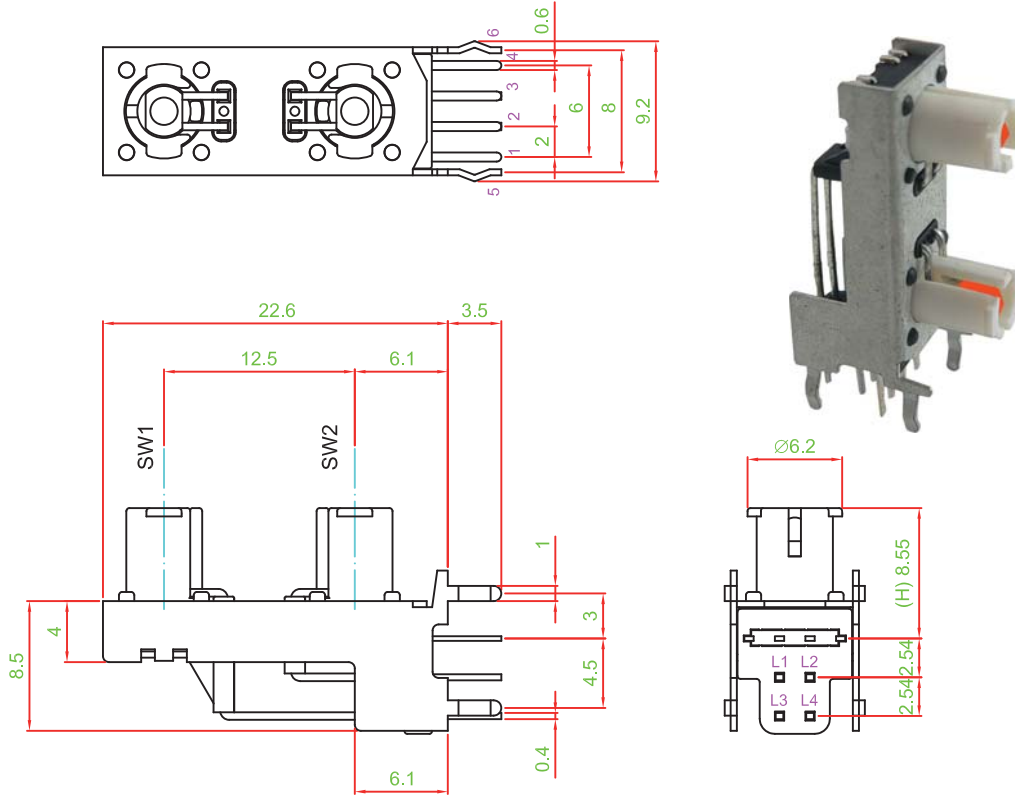


TC004L-N21R2TAR2TA

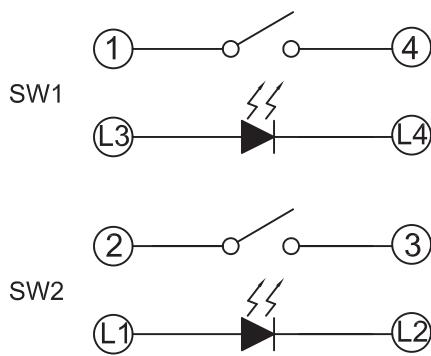


► DIMENSION

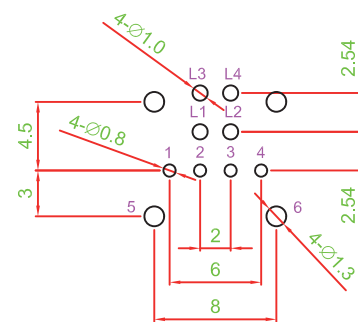
TC004L-N21XXBXXB□□□□



► SCHEMATIC



► P.C.B LAYOUT



► MATERIAL

- ACTUATOR : PA66
- TERMINAL : BRASS SILVER PLATING
- FRAME : STEEL PLATE
- SPRING PLATE : STAINLESS STEEL
- BASE FRAME : PA66

► UNIT WEIGHT

- TC004L-N21XXAXXARXGX : 2.35 ± 0.05 g / pc
- TC004L-N21R1TBR1TBRXGX : 2.40 ± 0.05 g / pc
- TC004L-N21R2TBR2TBRXGX : 2.48 ± 0.05 g / pc