

TC007 SERIES

TACT SWITCH



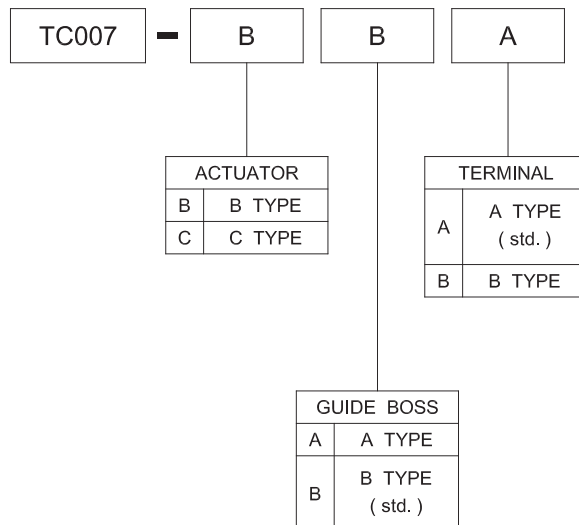
Feature -
 SPST
 mini in dimension
 2.9x3.9x2.5mm,

Application -
 consumer products
 computer products
 instrumentation
 communication equipments

► SPECIFICATIONS

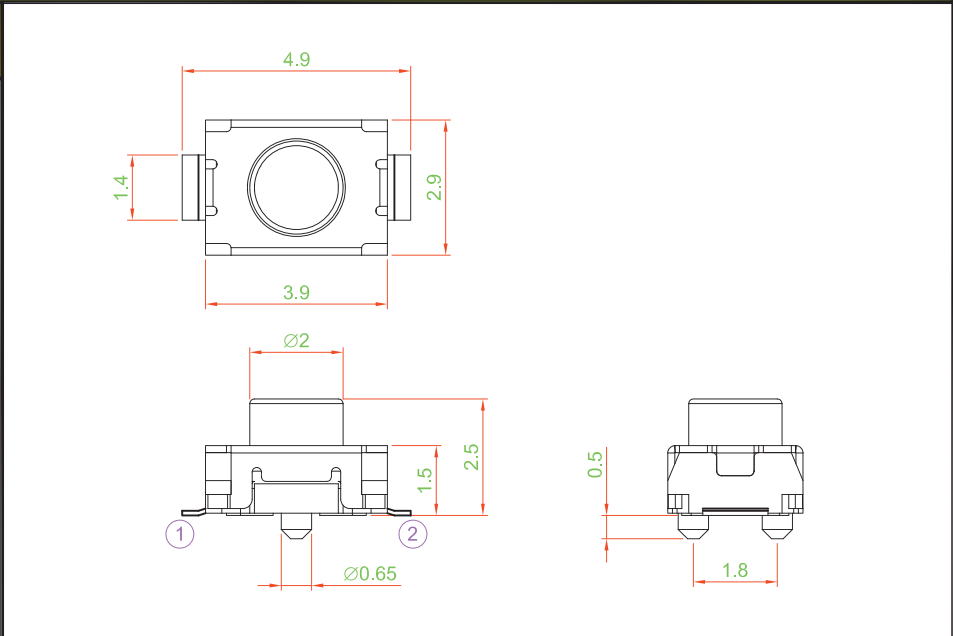
SWITCH SPECIFICATIONS	
POLE - POSITION	Momentary action , SPST
CONTACT RATING	12 V DC , 50 mA
CONTACT RESISTANCE	100 mΩ MAX. 5 V DC ; 1 A , by Method of Voltage DROP
INSULATION RESISTANCE	100 MΩ MIN. 100 V DC for 1 minute
DIELECTRIC STRENGTH	Breakdown is not Allowable ; 100 V AC for 1 Minute
OPERATING FORCE	160 ± 50 gf
OPERATING LIFE	100,000 cycles
OPERATING TEMPERATURE RANGE	-20°C ~ 70°C
TOTAL TRAVEL	0.15 ± 0.10 mm

► HOW TO ORDER

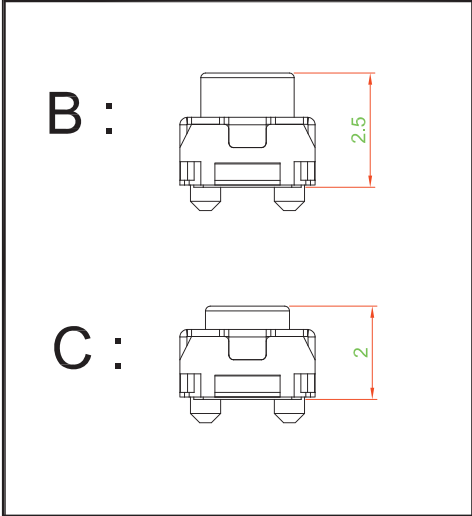


▶ DIMENSION

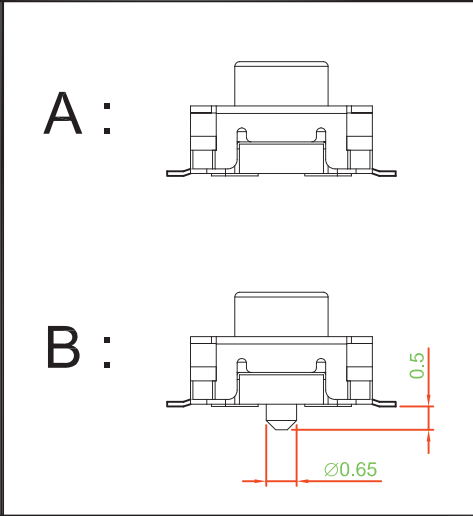
TC007 - BBA



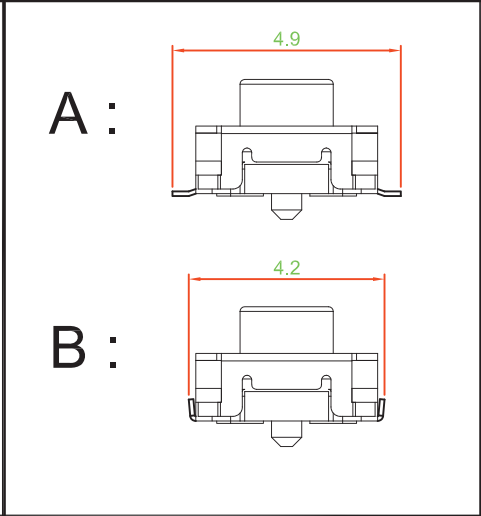
▶ ACTUATOR



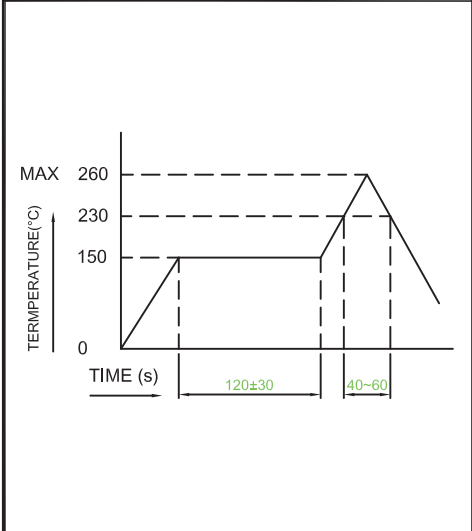
▶ GUIDE BOSS



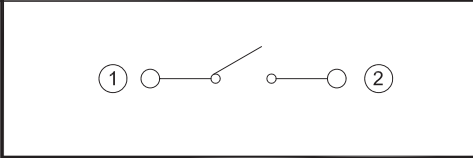
▶ TERMINAL



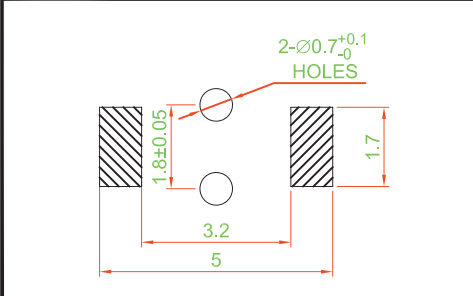
▶ REFLOW SOLDERING



▶ CIRCUIT



▶ P.C.B LAYOUT



▶ MATERIAL

- FRAME : LCP + GF
- ACTUATOR : PA6T + GF
- COVER : STAINLESS STELL
- SPRING PLATE : STAINLESS STELL
- TERMINAL : PHOSPHOR BRONZE SILVER PLATING