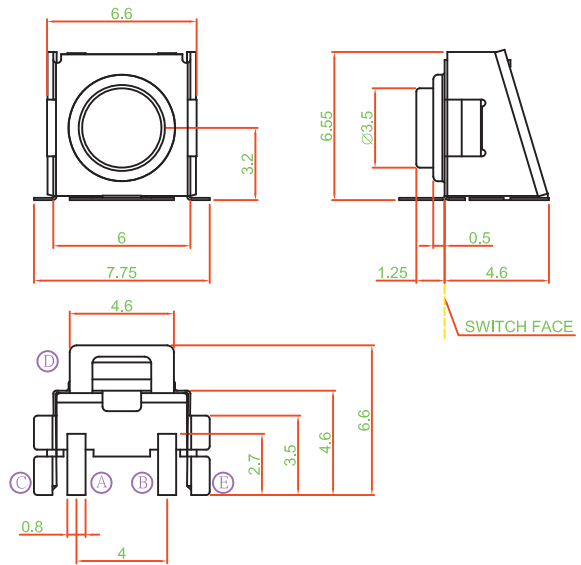
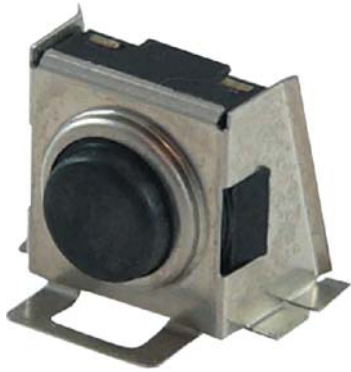
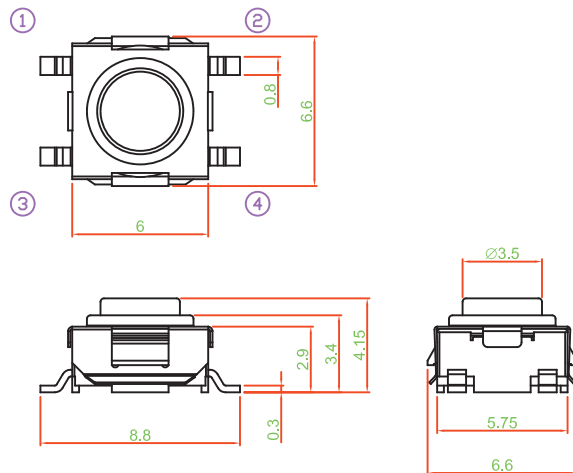


► DIMENSION

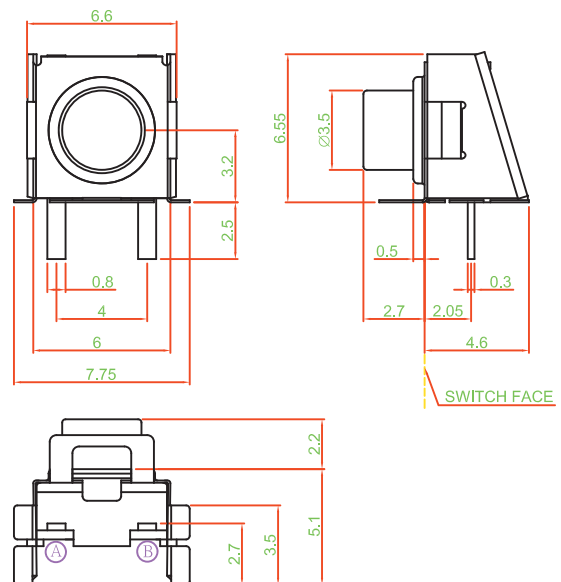
TC009-N11AAA



TC009-N11ABA



TC009-N11AA1B

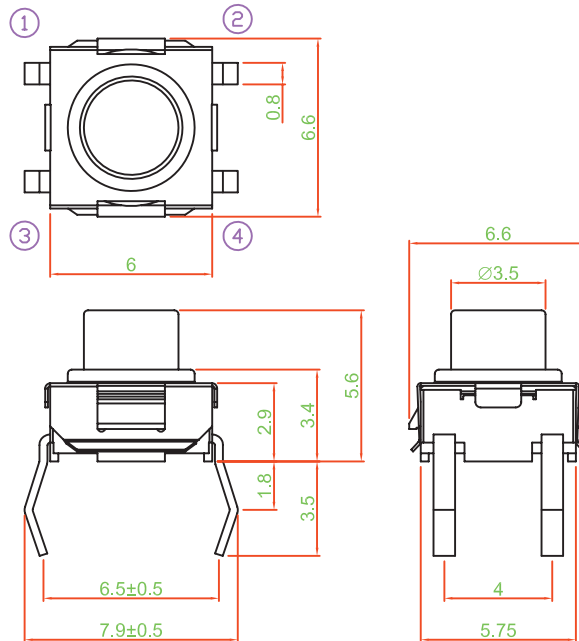


TC009 SERIES

TACT SWITCH

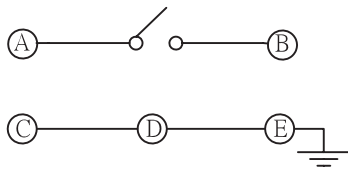
DIMENSION

TC009-N11AB1B

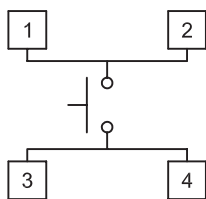


CIRCUIT DIAGRAM

FRAME A :

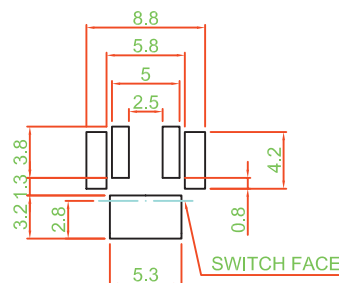


FRAME B :

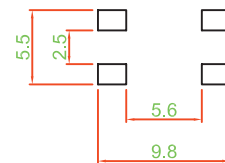


P.C.B. LAYOUT

FRAME A :



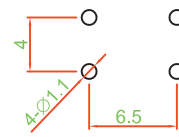
FRAME B :



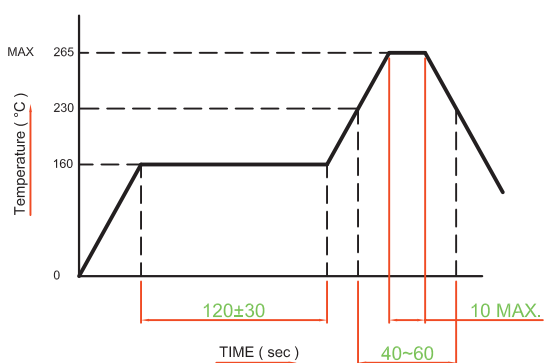
FRAME A1 :



FRAME B1 :



REFLOW SOLDERING



MATERIAL

- COVER : STAINLESS STEEL
- ACTUATOR : LCP+GF
- BASE : LCP+GF
- TERMINAL : BRASS SILVER PLATING
- SPRING PLATE : PHOSPHOR BRONZE SILVER PLATING

UNIT WEIGHT

- TC009 : 0.23 ± 0.01 g / pc