

TC010 SERIES

TACT SWITCH



Feature -

mini in dimension
7.3mm(W)x9.7mm(H)x8.0mm(D)
double stacked

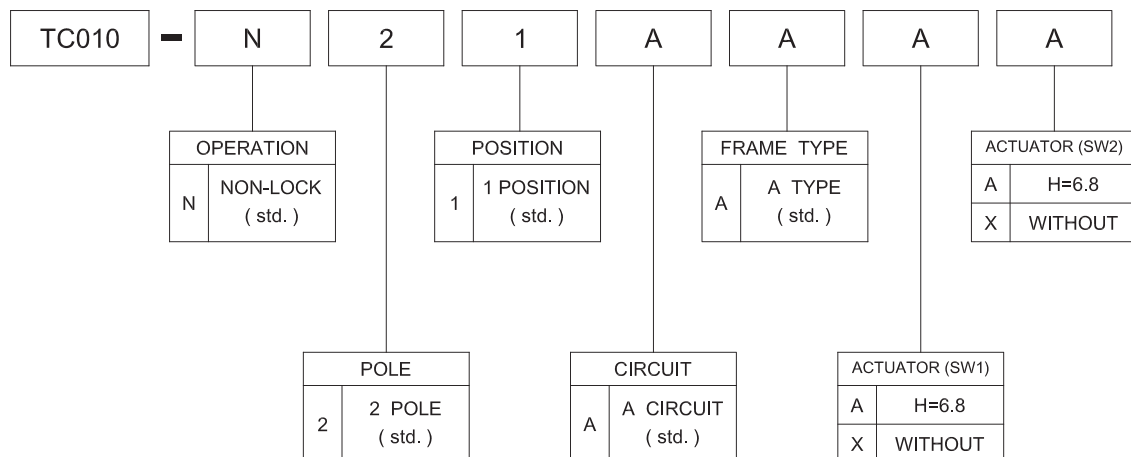
Application -

office equipments
measuring instruments
audio, TV, VCRs
many types of electronic equipments

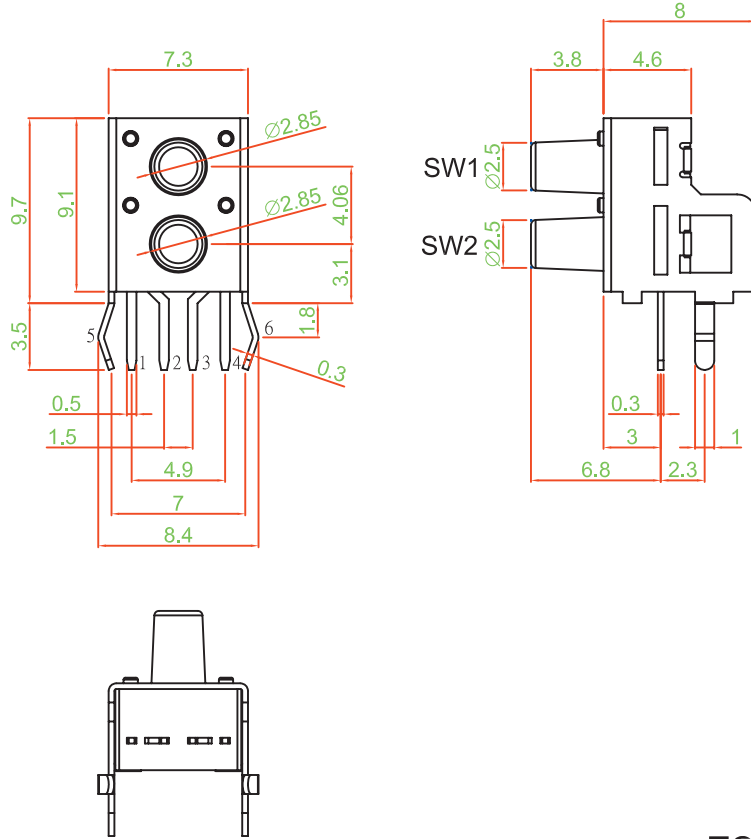
► SPECIFICATIONS

SWITCH SPECIFICATIONS	
POLE - POSITION	DPST
CONTACT RATING	12 V DC , 50 mA
CONTACT RESISTANCE	100 mΩ MAX. 5 V DC ; 1 A , by Method of Voltage DROP
INSULATION RESISTANCE	100 MΩ MIN. 100 V DC for 1 minute
DIELECTRIC STRENGTH	Breakdown is not Allowable ; 100 V AC for 1 Minute
OPERATING FORCE	160 ± 50 gf
OPERATING LIFE	80,000 cycles
OPERATING TEMPERATURE RANGE	-20°C ~ 70°C
TOTAL TRAVEL	0.25 ± 0.10 mm

► HOW TO ORDER

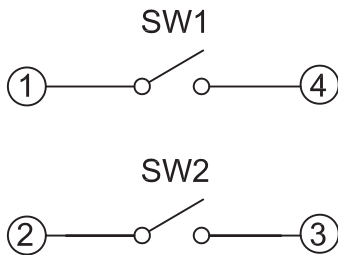


► DIMENSION

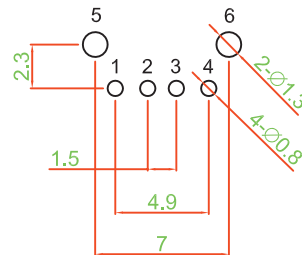


TC010-N21AAAA

► SCHEMATIC



► P.C.B LAYOUT



► UNIT WEIGHT

- TC010-N21AAAA : 0.8 ± 0.05 g / pc
- TC010-N21AAAX : 0.76 ± 0.05 g / pc
- TC010-N21AAXA : 0.76 ± 0.05 g / pc

► MATERIAL

- ACTUATOR : PA66
- TERMINAL : BRASS SILVER PLATING
- FRAME : STEEL PLATE
- SPRING PLATE : STAINLESS STEEL
- BASE FRAME : PA66