

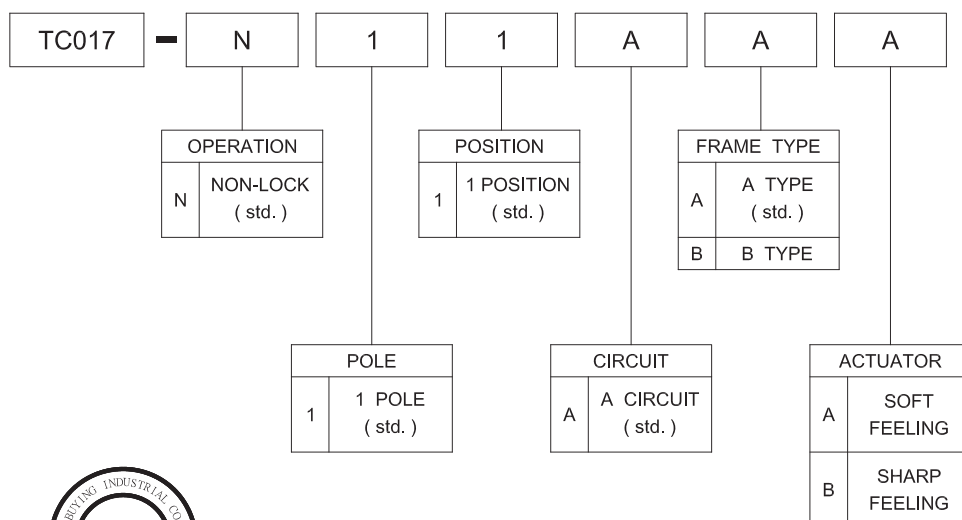
Feature -
 SPST
 mini in dimension

Application -
 consumer products
 computer products
 instrumentation
 communication equipments

► SPECIFICATIONS

SWITCH SPECIFICATIONS	
POLE - POSITION	Momentary action , SPST
CONTACT RATING	MAX. : 12 V DC , 50 mA MIN. : 1 V DC , 50 μ A
CONTACT RESISTANCE	500 m Ω MAX. 5 V DC ; 10 mA , by Method of Voltage DROP
INSULATION RESISTANCE	100 M Ω MIN. 100 V DC for 1 minute
DIELECTRIC STRENGTH	Breakdown is not Allowable ; 250 V AC for 1 Minute
OPERATING FORCE	160 \pm 50 gf
OPERATING LIFE	100,000 cycles
OPERATING TEMPERATURE RANGE	-20°C ~ 70°C
TOTAL TRAVEL	0.2 \pm 0.10 mm

► HOW TO ORDER

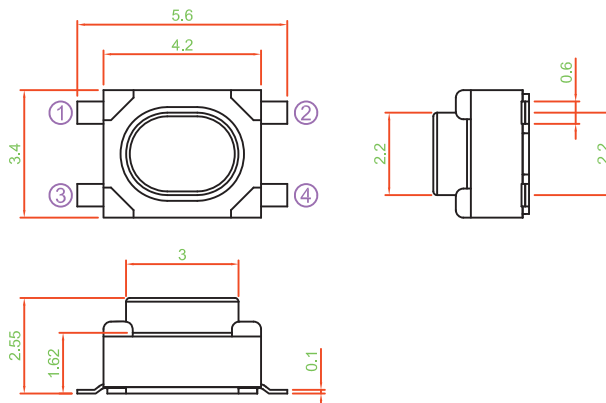
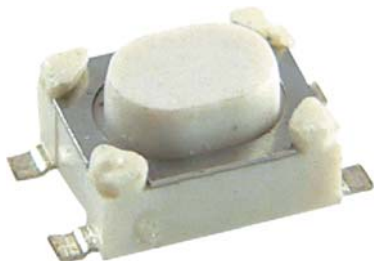


TC017 SERIES

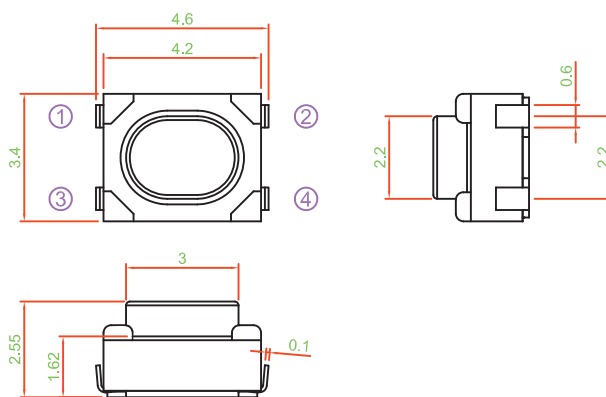
TACT SWITCH

DIMENSION

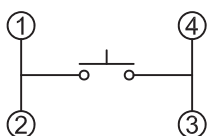
TC017-N11AAA



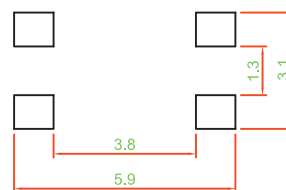
TC017-N11ABB



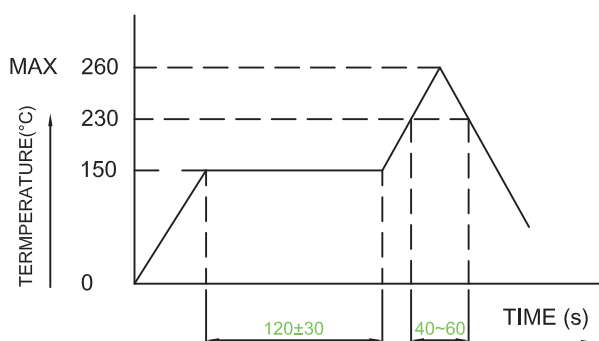
CIRCUIT DIAGRAM



P.C.B. LAYOUT



REFLOW SOLDERING



MATERIAL

- COVER : SUS
- ACTUATOR : LCP
- BASE : LCP
- TERMINAL : BRASS SILVER PLATING

PACKAGING

- TAPE & REEL : 3000 pcs / reel

UNIT WEIGHT

- TC017 : 0.03 ± 0.005 g / pc