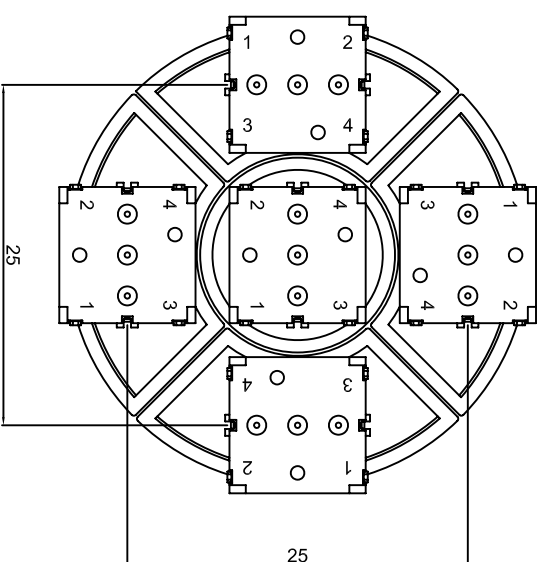
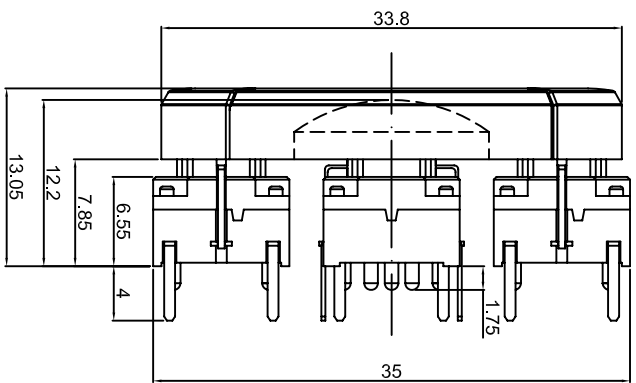
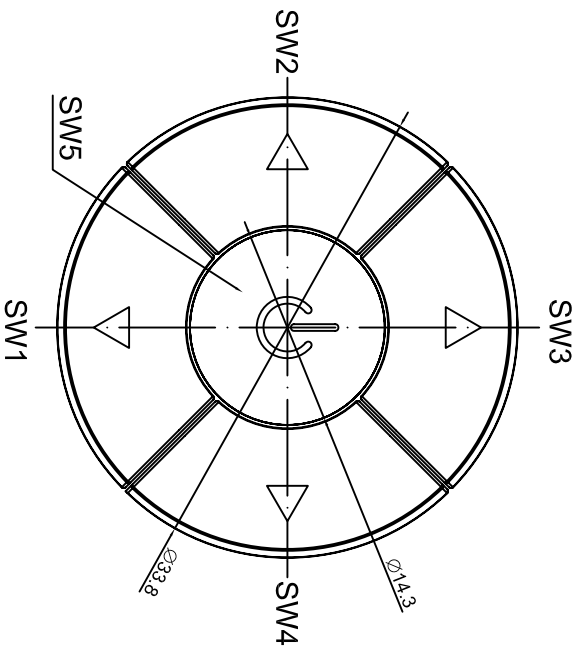
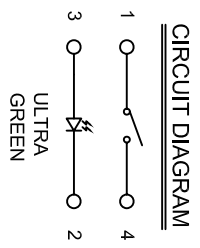


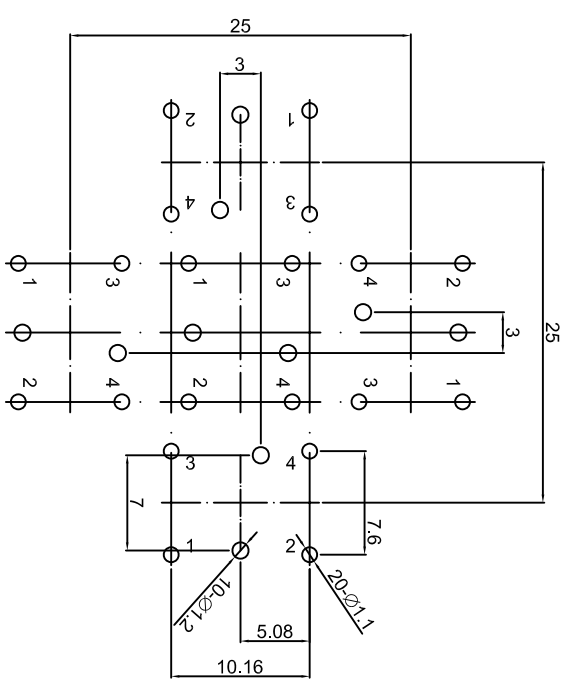
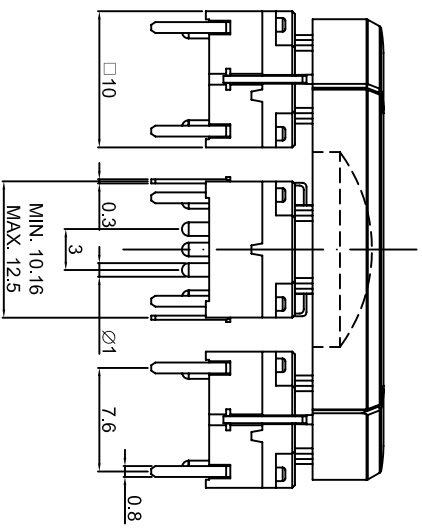
DIMENSION	TOLERANCE
BELOW 10 mm	± 0.3
10-100 mm	± 0.5
ABOVE 100 mm	± 0.8
ANGLE	± 3°



P.C.B. LAYOUT



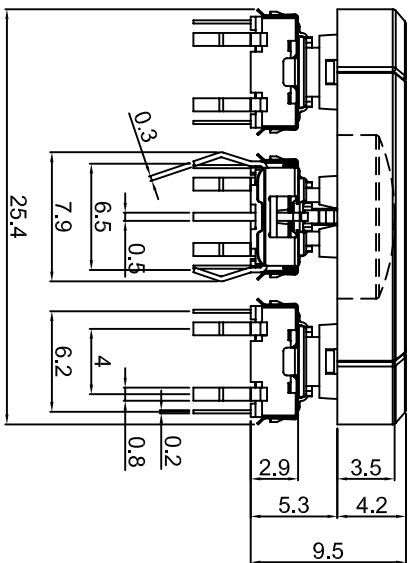
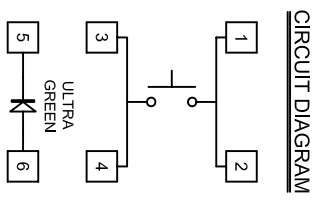
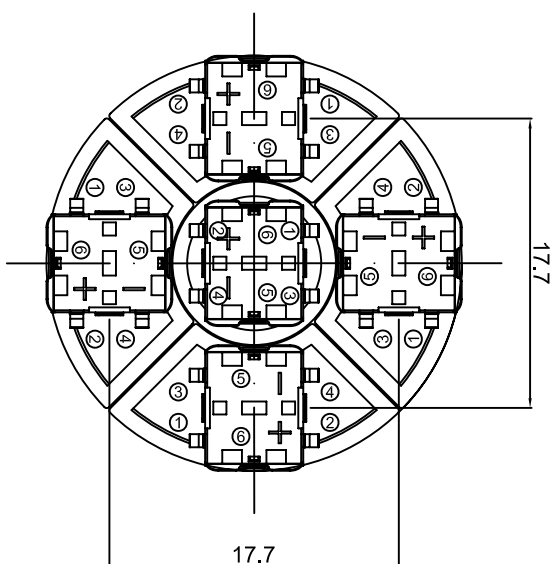
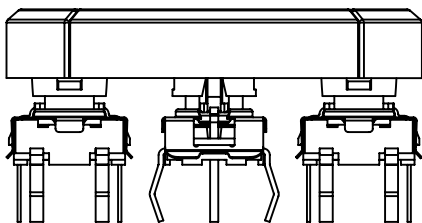
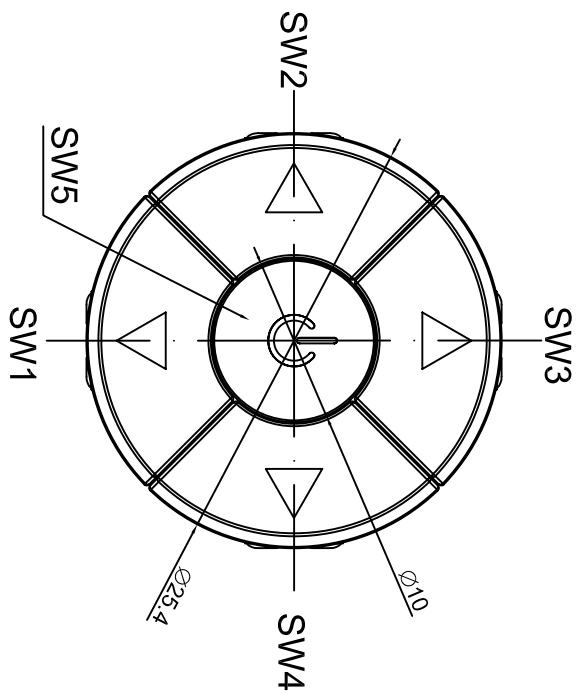
- SPECIFICATION :**
1. RATING : 24 VDC, 50mA .
 2. CONTACT RESISTANCE : 50mΩ MAX.
 3. OPERATING FORCE : 300 ± 100gf .
 4. OPERATING TEMP. : -30°C~85°C.
 5. LIFE CYCLE : 1,500,000 CYCLE .



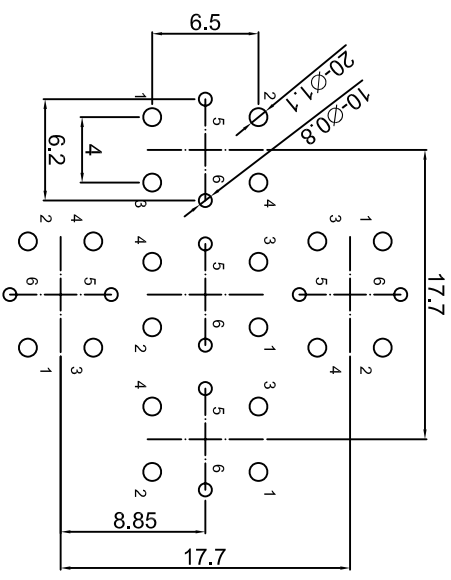
DATE	UNIT	mm	MODE	TACT SWITCH
2012/01/17	KAVEN	1 : 1	PART	TC018-5POSITIONS
APPROVAL	ALAN	VIEW	2D FILE NAME	TC018-5POSITIONS
CONFIRM	TERANCE	VER.	3D FILE NAME	
DESIGN	DESIGN	DESIGN	DESIGN	
APPROVAL	DESIGN	DESIGN	DESIGN	
DATE	APPROVAL	DESIGN	ENGINEERING CHANGE DESCRIPTION	

WB Well Buying
Industrial Co.,Ltd.

DIMENSION	TOLERANCE
BELOW 10 mm	± 0.3
10-100 mm	± 0.5
ABOVE 100 mm	± 0.8
ANGLE	± 3°



1. DIP TYPE.
2. RATING : 12 V DC , 50 mA
3. CONTACT RESISTANCE : 100 mΩ MAX.
4. INSULATION RESISTANCE : 500 V DC , 100mΩ MIN.
5. OPERATION FORCE : 450±150 gf
6. OPERATION TEMPERATURE RANGE : -20°C ~ +70°C
7. OPERATION LIFE : 500,000 CYCLES
8. DEGREE OF PROTECTION : IP 67



DATE	UNIT	MODE	TACT SWITCH
2012/01/17	mm		
APPROVAL	SCALE	PART	TC009L-5POSITIONS
KAVERN	1 : 1		
CONFIRM	VIEW	2D FILE NAME	TC009L-5POSITIONS
ALAN	VIEW		
DESIGN	TERANCE	VER.	3D FILE NAME
		01	
DATE	APPROVAL	DESIGN	ENGINEERING CHANGE DESCRIPTION