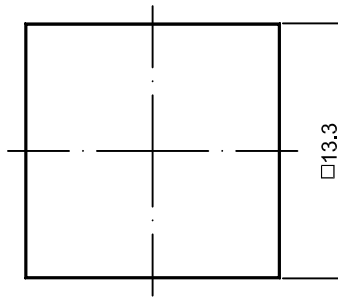
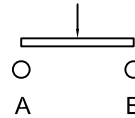


Prototype: we keep the right to change without notice.

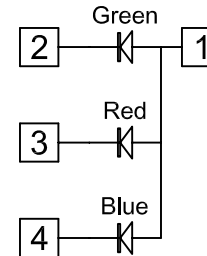
DIMENSION	TOLERANCE
BELOW 10 mm	± 0.3
10~100 mm	± 0.5
ABOVE 100 mm	± 0.8
ANGLE	± 3°



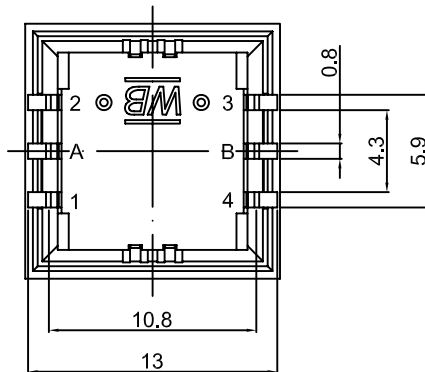
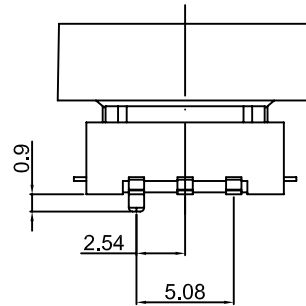
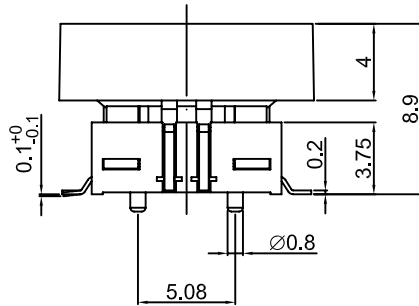
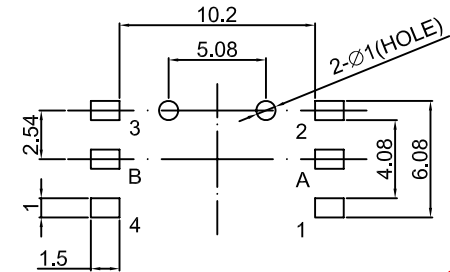
CIRCUIT DIAGRAM



LED SCHEMATIC



P.C.B. LAYOUT



DIFFUSER PLANT COLOR

G	GREEN	Y	YELLOW
R	RED	B	BLUE
T	TRANSPARENT	W	WHITE
X	WITHOUT		

CAP COLOR

G	GREEN	Y	YELLOW
R	RED	B	BLUE
T	TRANSPARENT	W	WHITE
X	WITHOUT		

Well Buying Industrial Co., Ltd.  
 TRIAL PRODUCT  
 R & D DEPARTMENT

SPECIFICATION :

1. RATING : 12 VDC,50mA .
2. CONTACT RESISTANCE : 100mΩ MAX
- 3.INSULATION RESISTANCE:100MΩ MIN 500 V DC
4. OPERATING FORCE : 220 ± 50gf .
- 5.TOTAL TRAVEL : 0.35 ± 0.1mm
6. OPERATING TEMPERATURE: -20°C ~ 70°C
7. LIFE CYCLE : 100,000 CYCLE

△				DATA	2012/2/2	UNIT	mm	MODE	TACT SWITCH
△				APPROVAL	KAVEN	SCALE	1 : 1	PART	TC012W
△				CONFIRM	ALAN	VIEW		2D FILE NAME	
	DATA	APPROVAL	DESIGN	ENGINEERING CHANGE DESCRIPTION	DESIGN	VER.	01	3D FILE NAME	

**WB** Well Buying Industrial Co.,Ltd.